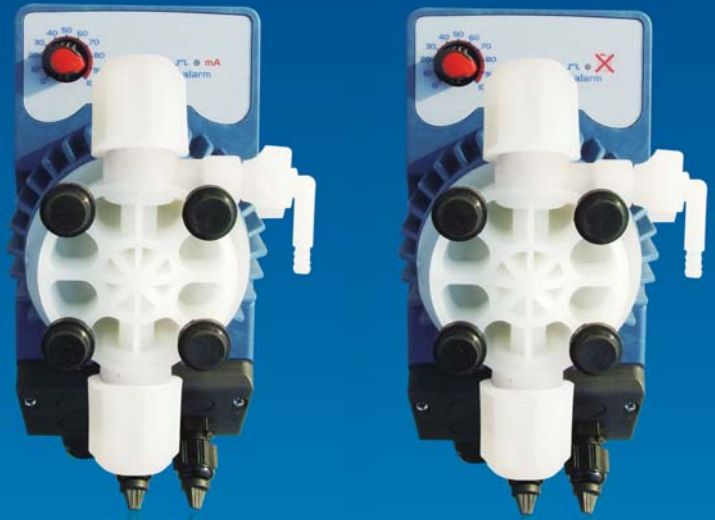


# Kompact Series

Kompact is a simple solenoid dosing pump, operating with a micro-processor to manage the dosing.

Its external enclosure has an IP65, which guarantees a protection versus splashing water and aggressive environments.



## Dosing Mode

The pump head has a manual priming valve.

The flow rate is manually or automatically (by signal input) adjustable from 0 (pump stop) to 100% of the max flow rate. Moreover it is equipped with the low level alarm to stop or not the pump.

## Pumps Head

<b>BODY</b>	PVDF
<b>BALL VALVES</b>	Ceramic
<b>SEAT VALVE</b>	FPM/EPDM
<b>DIAPHRAGM</b>	PTFE

The parts in contact with the liquid have been chosen in order to guarantee perfect compatibility with most chemical normally in use.

## Long life diaphragm

**Tested to give 5 years working life**



- The advanced design and manufacturing process allows the diaphragm to have a unique life expectancy
- Made of pure solid PTFE, the diaphragm is compatible with most chemicals
- The diaphragm has been tested over a period of 5 years giving superior results
- Routine diaphragm replacement is no longer a requirement

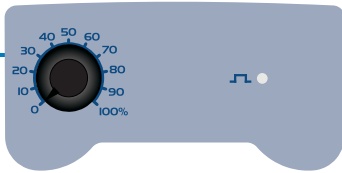
## Graphic display and Keypad

Kompact digital is programmable via keypad and 2 line x 8 digits backlit display.

## Wall-mounted

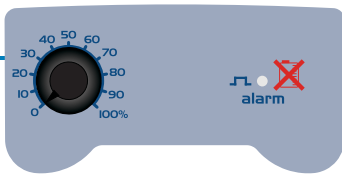
Kompact pump can be fixed on wall by fixing bracket provide with the pump or top of drums by the optional foot fixing bracket.

## Kompact Analogue version



### AMS Costant dosage

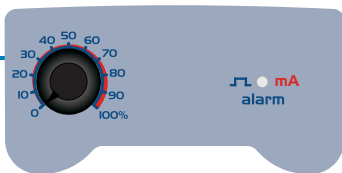
Constant flow rate manually adjustable by control dial on the front panel, Power-ON led indicator.



### AML Costant dosage

Constant flow rate manually adjustable by control dial on the front panel, two flow rate range:

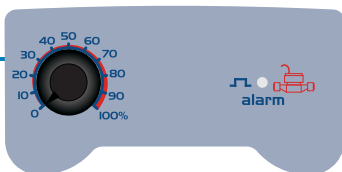
- 0÷20% with switch in P position,
  - 0÷100% with switch in C position,
- Power-ON led indicator and level control input



### AMM Proportional dosage

Constant flow rate manually adjustable, proportional flow rate according to an external analogue signal (4÷20 mA), Power-ON led indicator and level control input. The two different modes are:

- **Constant** (switch in C position)      The pump constantly doses the rate selected with the potentiometer.
- **Proportional** (switch in P position)      The pump doses proportionally to the analogue input signal (4÷20 mA).



### AMC Proportional dosage

Constant flow rate manually adjustable, proportional flow rate according to a digital pulse signal (e.g. from water meter), Power-ON led indicator and level control input.

The two different modes are:

- **Constant** (switch in C position)      The pump constantly doses the rate selected with the potentiometer.
- **Proportional** (switch in P position)      The pump doses proportionally to the digital input signal (Division mode 1 : 1). Maximum input frequency: 80Hz.

## Installation Kit

The pumps are supplied complete with the indispensable accessories for their correct installation as:

Foot filter, Screws, Fixing bracket, Injection valve, 2m PE tube (delivery), 4 m PVC tube (suction), Seal in FPM and EPDM



Wall-mounted bracket



PVC Suction tube



PE Delivery tube



Injection valve (PVC)  
(G3/8", G1/2")



Foot valve (PVC)

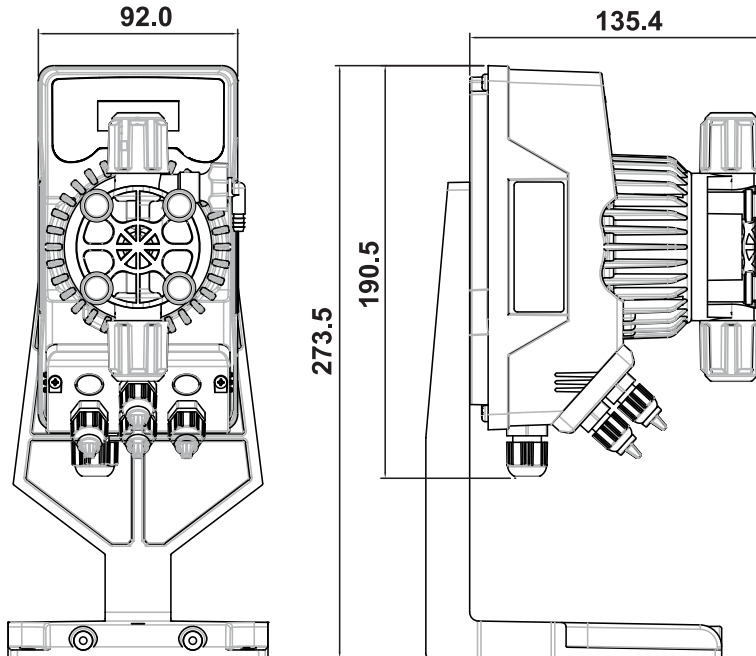
# Technical specifications

Model	Flow rate [l/h]	Pressure [bar]	Stroke capacity [cc/stroke]	Ø Connections IN / OUT [mm]	Frequency max [stroke/min]	Weight [Kg]	Wooden box size (LxWxH) [mm]
200	5	8	0,52	4 / 6	160	2,4	285x185x180
	3	10	0,31				
	9	2	0,93				
201	1	7	0,10	4 / 6	160	2,4	285x185x180

Pump Head materials	Type	Body Pump	Balls	Seat valve	Diaphragm
	P	PVC	Ceramic	FPM - EPDM	PTFE

Enclosure	Materials	Protection degree	Power supply
	PP	IP65	

## DIMENSIONAL DRAWINGS



## TECHNICAL FEATURES

<b>FLOW RATES</b>	5 l/h @ 8 bar 3 l/h @ 10 bar 9 l/h @ 2 bar 1 l/h @ 7 bar
<b>POWER SUPPLY</b>	100÷240 Vac 50/60 Hz
<b>STROKE RATE</b>	160 strokes/minute
<b>ENCLOSURE</b>	PP protection degree IP65
<b>INSTALLATION KIT</b>	Included