

Flow Monitor & Indicator

WY



OVERVIEW

Operation

- Float measuring principle

Application

- Cooling systems and cooling circuits
- Mechanical engineering
- Medical engineering
- Pharmaceutical industry
- Chemical industry
- Research & Development

Features

- Universal orientation
- Wide measuring range
- High reliability
- High switch accuracy
- Infinitely variable switch point adjustment by operator
- Fittings in angle seat can be replaced without removing entire device from system
- Scales are burned onto the sight glass
- Threaded connection, special thread on request

Installation information

- The operating instructions for WY must be observed!
- **Download: www.meister-flow.com**

OPERATING DATA

Operating pressure, max.	10 bar
Pressure drop	approx. 0,3 bar
Temperature, max.	100 °C
Measuring accuracy	±10 % of full scale

MEASURING RANGES

Type	Switch range for H ₂ O at 20 °C ⁽¹⁾		
	l/min	gph	gpm
WY-15	2,5 – 25		
WY-25	10 – 100		

⁽¹⁾ The specified measuring- / switch ranges are valid for water having a density of 1.00 kg/dm³, vertical installation of the device and flow direction from bottom to top.

Other mounting positions or deviation from the operating densities will increase the measurement error specified in the data sheet.

Operating density for water at 20 °C and 1.013 bar (absolute value): 1.00 kg/dm³.

Upon request, special scales for deviating media, different operating conditions and installation positions (only for devices which can be installed in any position) are available.

The specified switch values are switch-off points, i.e. switch values by decreasing flow.

Other measuring- /switch ranges are available upon request.

MATERIALS

Brass version, wetted parts

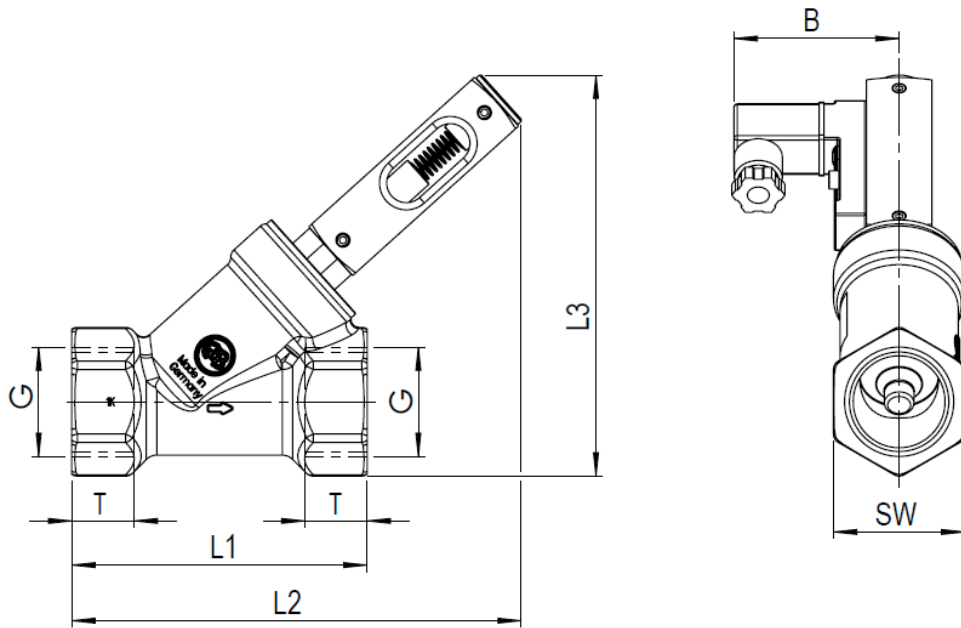
Spring:	1.4571
Sight glass:	DURAN® 50
Gaskets:	NBR (optional FKM, EPDM) ⁽²⁾
Magnets:	Hard ferrite
Float:	PEEK (WY-15) Brass (WY-25)
all other wetted parts:	Brass, nickel-plated

Brass version, non-wetted parts

Device housing:	Aluminium, anodized
-----------------	---------------------

⁽²⁾ Other gasket materials on request

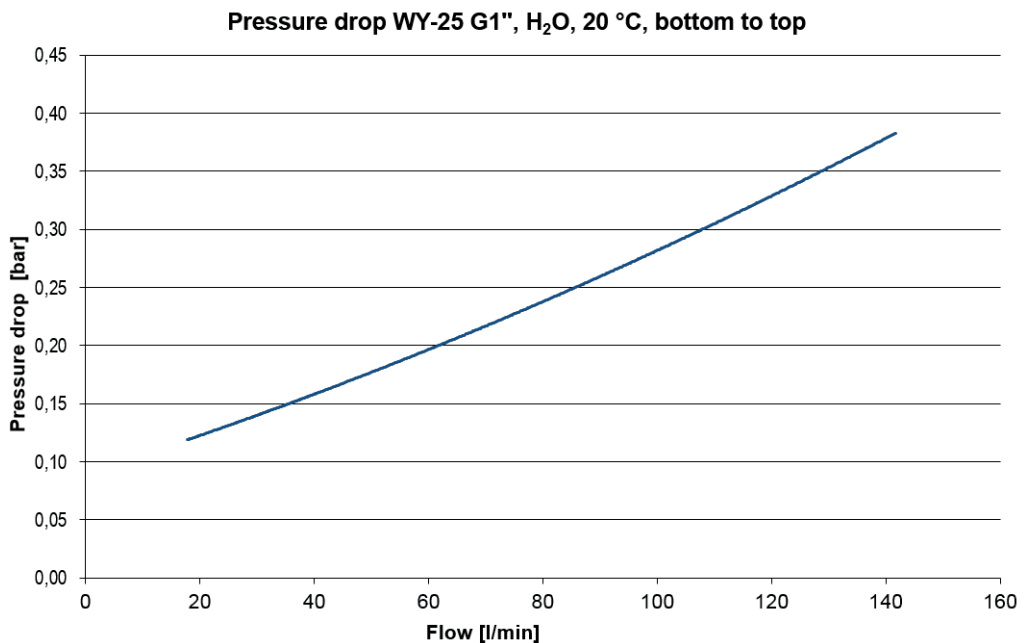
TECHNICAL DRAWING



SUMMARY OF TYPES

Type	Overall dimensions [mm]												Weight approx. [g]
	G	DN	SW	L1	L2	L3	T	B	A1	A2	A3	A4	
WY-15	1/2"	-	27	65	117	101	14	50	-	-	-	-	300
WY-25	1"	-	41	90	137	122	19	50	-	-	-	-	700

PRESSURE DROP DIAGRAM



ELECTRICAL DATA

Change over (COC)	150V AC/DC · 1A · 20VA
Normally open (NOC)	140V AC · 0,7A · 20VA 200V DC · 1A · 20VA
Change over M12x1⁽³⁾	125V AC/DC · 1A · 20VA
Normally open M12x1⁽³⁾	125V AC · 0,7A · 20VA 125V DC · 1A · 20VA

⁽³⁾ -20 °C – 85 °C

ELECTRICAL CONNECTION

- Connector in compliance with EN 175301-803, Form C (DIN 43650, Form C)
- Connector M12x1

Ingress Protection

IP65: Connector in compliance with EN 175301-803, Form C or connector M12x1

Output signal

The contact opens / changes when the flow decreases below the set point.

Power supply

Not required (potential-free reed contacts)

Connector types

Other connector types on request

Optional

Analog output: 4...20 mA or 0...10V

CONNECTION DIAGRAM

