



JUNIOR
Mizu Corporation

AGITATORS

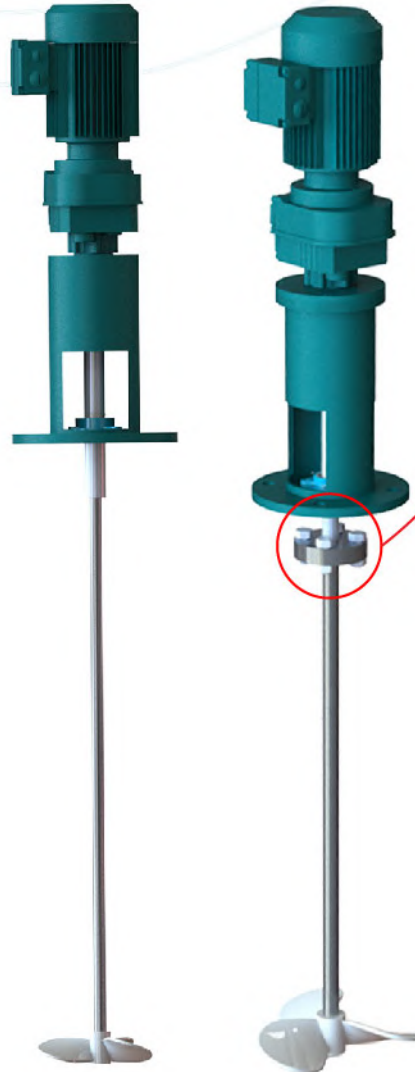
Model JM



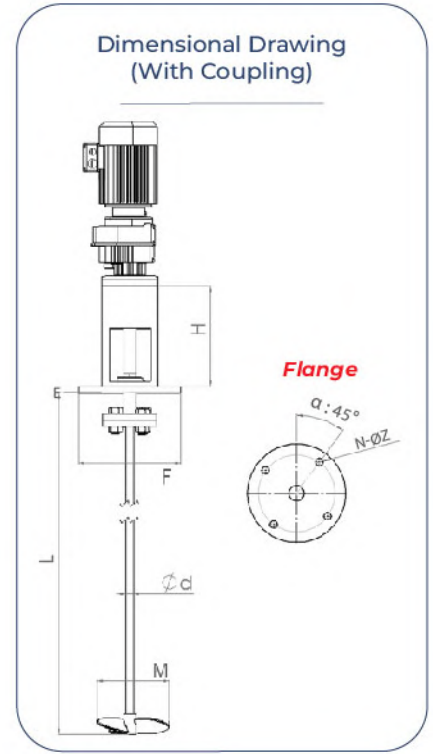
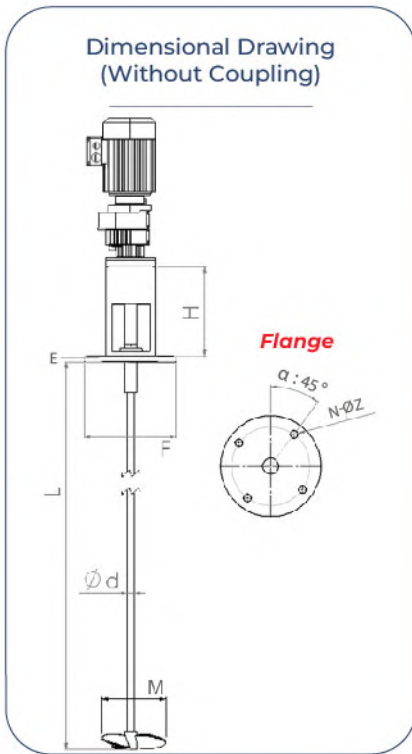
Low Speed

Available in a variety of application and motor speed could be selected to meet the requirement.

Ideal for mixing of solution with comparatively high viscosity.



Coupling installation will be available for motor power selection 1.5 kW or greater.

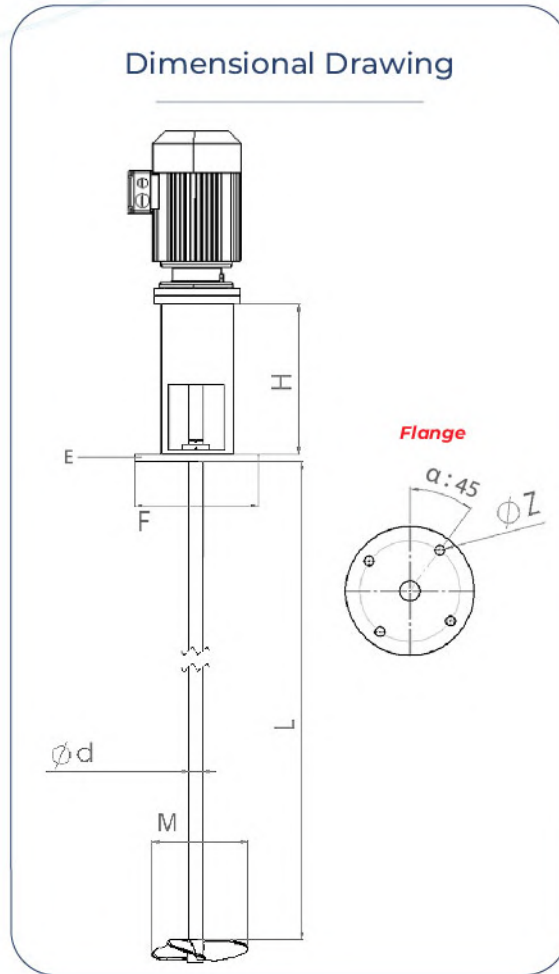


Model	Motor 3 Phase; 50 Hz			Mixing Shaft		Propeller	Mounting Flange					Cover / Support	
	Power		Output	Length [L]	Dia. [Ød]	Blades [M]	Pitch [PCD]	Thickness [E]	[F]	[Z]	[N]	[H]	Dia.
	kW	HP	RPM	mm	mm	mm	mm	mm	mm	mm	—	mm	mm
JM-2-S.2	0.18	1/4	112	1000	19	200	210	16	250	19	4	250	125
JM-4-S.2	0.37	1/2	180	1200	22	250	210	16	250	23	4	300	125
JM-7.5-S.2	0.75	1	180	1400	22	300	210	16	250	23	4	300	150
JM-15-S.2	1.5	2	420	1600	32	350	240	18	280	23	4	350	150
JM-22-S.2	2.2	3	420	1800	32	400	240	18	280	23	4	400	150
JM-30-S.2	3	4	420	1800	32	400	240	18	280	23	4	400	150
JM-37-S.2	4	5	470	2000	40	450	290	18	290	23	4	500	200
JM-55-S.2	5.5	7 1/2	520	2200	45	500	290	22	330	23	4	500	250
JM-75-S.2	7.5	10	510	2500	55	550	355	25	330	25	6	550	250

*We reserve the right to change specifications and design here in for improvement without prior notice.

Medium Speed

Design functionally to handle wide application and function design ideal for mixing of solution with comparatively medium viscosity.

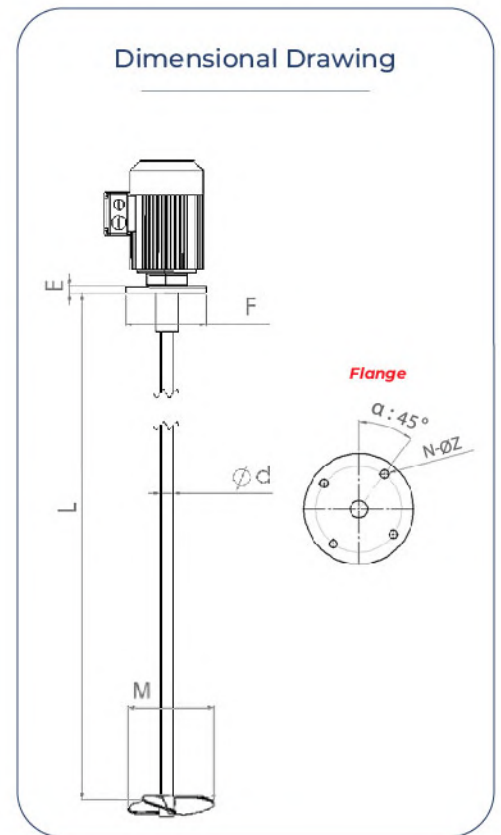
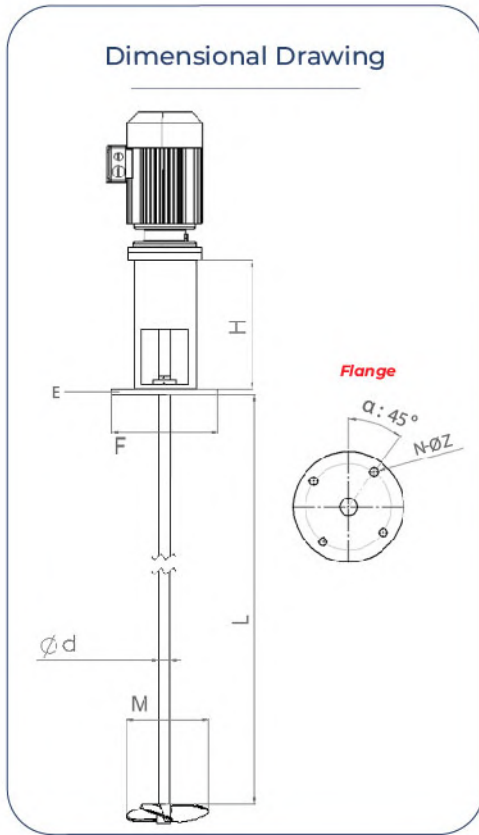


Model	Motor 3 Phase; 50 Hz			Mixing Shaft		Propeller	Mounting Flange					Cover / Support	
	Power		Output	Length [L]	Dia. [Ød]	Blades [M]	Pitch [PCD]	Thickness [E]	[F]	[Z]	[N]	[H]	Dia.
	kW	HP	RPM	mm	mm	mm	mm	mm	mm	mm	—	mm	mm
JM-2-M.1	0.18	1/4	1000	1000	19	125	115	-	140	10	4	-	-
JM-4-M.1	0.37	1/2	1000	1200	19	140	130	-	160	10	4	-	-
JM-7.5-M.1	0.75	1	1000	1400	22	150	165	-	200	12	4	-	-
JM-15-M.1	1.5	2	1000	1600	32	160	165	16	200	15	4	400	150
JM-22-M.1	2.2	3	1000	1800	32	175	165	16	200	15	4	400	150
JM-37-M.2	4	5	1000	2000	40	180	215	16	250	19	4	500	200
JM-55-M.2	5.5	7 1/2	1000	2200	45	200	265	22	300	19	4	500	250
JM-75-M.2	7.5	10	1000	2500	55	250	265	22	300	19	4	500	250

*We reserve the right to change specifications and design here in for improvement without prior notice.

High Speed

Design functionally to handle wide application and function design ideal for mixing of solution with comparatively low viscosity.



Model	Motor 3 Phase; 50 Hz			Mixing Shaft		Propeller	Mounting Flange					Cover / Support	
	Power		Output	Length [L]	Dia. [Ød]	Blades [M]	Pitch [PCD]	Thickness [E]	[F]	[Z]	[N]	[H]	Dia.
	kW	HP	RPM	mm	mm	mm	mm	mm	mm	mm	—	mm	mm
JM-2-F.1	0.18	1/4	1450	1000	16	125	115	-	140	10	4	-	-
JM-4-F.1	0.37	1/2	1450	1200	19	140	130	-	160	10	4	-	-
JM-7.5-F.1	0.75	1	1450	1400	22	150	165	-	200	12	4	-	-
JM-15-F.1	1.5	2	1450	1600	32	160	165	16	200	15	4	400	150
JM-22-F.1	2.2	3	1450	1800	32	175	165	16	200	15	4	400	150
JM-37-F.2	4	5	1450	2000	40	180	215	16	250	19	4	500	200
JM-55-F.2	5.5	7 1/2	1450	2200	45	200	265	22	300	19	4	500	250
JM-75-F.2	7.5	10	1450	2500	55	250	265	22	300	19	4	500	250

*We reserve the right to change specifications and design here in for improvement without prior notice.