

# KOSMO series

## MM1

### Mechanical-return Diaphragm Metering Pump

Featuring the same distinctive specs of MM2 series, the MM1 range is the ideal choice for any application where both industrial pump design and fine dosing are required.

#### FEATURES

■ Flow rate	3 - 530 L/H
■ Max pressure	12 bar
■ Stroke rate	58/78/116/156 Stroke/minute
■ Stroke length	2/4/6.4/7.4mm
■ Diaphragm diameter	65/96/124/140mm
■ Motor	0.25/0.37KW
■ Material of pump head	SS 316L /PVC /PVDF
■ Max temperature	40°C



#### SPECIFICATIONS

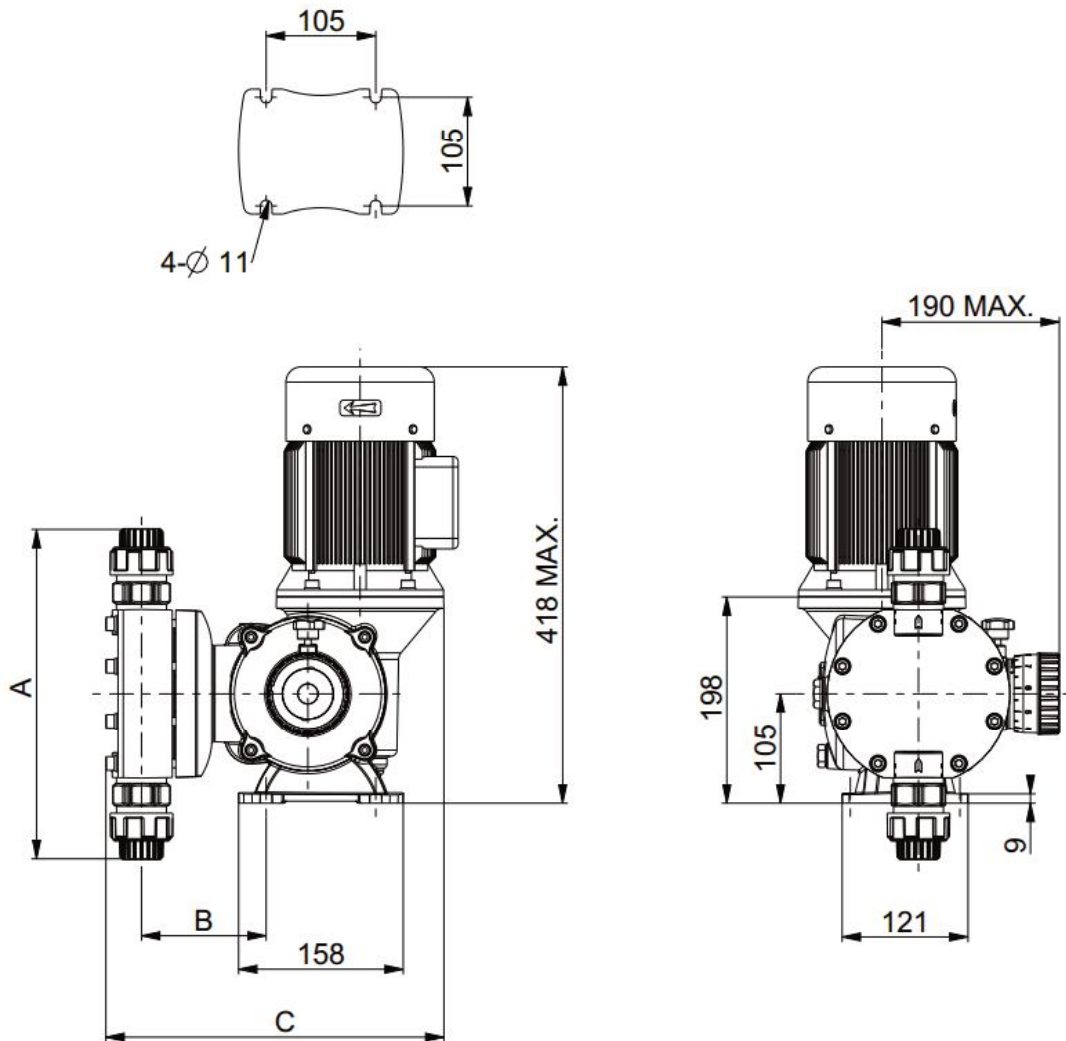
Model	Diameter [mm]	Stroke length [mm]	Stroke rate [stroke/min]	Flow rate [L/H]	Max pressure [bar]	Connections			Motor [kw] Pole	Gross weight [kg] SS316L PVC PVDF	Carton size (LxWxH) [mm]
						SS316L	PVC	PVDF			
MM1A065A**A40600	65	2	58	3.0	12	G1/4	8*12 PE Hose	0.25/4	16	450x300x550	
MM1A065B**A40600			78	4.5							
MM1A065C**A40600			116	9							
MM1A096C**A40600	96	4	116	22	10	G3/8	0.37/4	20			
MM1C096B**A40600			78	53							
MM1C096C**B40600			116	85							
MM1C096B**B20600	124	6.4	156	115	7	G3/4	0.37/2	20			
MM1D124B**B40600			78	170							
MM1D124C**B40600			116	242							
MM1D124B**B20600	140	7.4	156	340	5	G1	0.37/4	20			
MM1E140C**B40600			116	400							
MM1E140B**B20600			156	530							

1.\*\* refers to option of pump head material : SS316L(21/24);PVC(31/34);PVDF(41/44)

2. With exception to standard motor, it is also can be equipped with frequency-conversion motor or explosive-proof motor.

3. Test with water @ 20°C @ 50 Hz;Flow rate values with motor at 50Hz. Multiply by 1.2 for 60 Hz

## INSTALLATION DRAWING



pump head Material	Diameter=65mm			Diameter=96mm			Diameter=124mm			Diameter=140mm						
	Connection	A	B	C	Connection	A	B	C	Connection	A	B	C				
PVC	8x12	166	104	303	G3/8"F	222	108	301	G3/4"F	293	118	322	G1"F	316	119	323
PVDF	8x12	166	104	303		222	108	301		293	118	322		316	119	323
SS316L	G1/4"F	175	108	294		167	107	293		216	113	306		251	120	319

## LIQUID END MATERIALS

Material	Standard		
	21/24	31/34	41/44
Pump head	SS316L	PVC	PVDF
Diaphragm	PTFE		
Seal	FPM/EPDM		
Ball	SS316L	Ceramic	
Ball Seat		PTFE	