

# KOSMO series

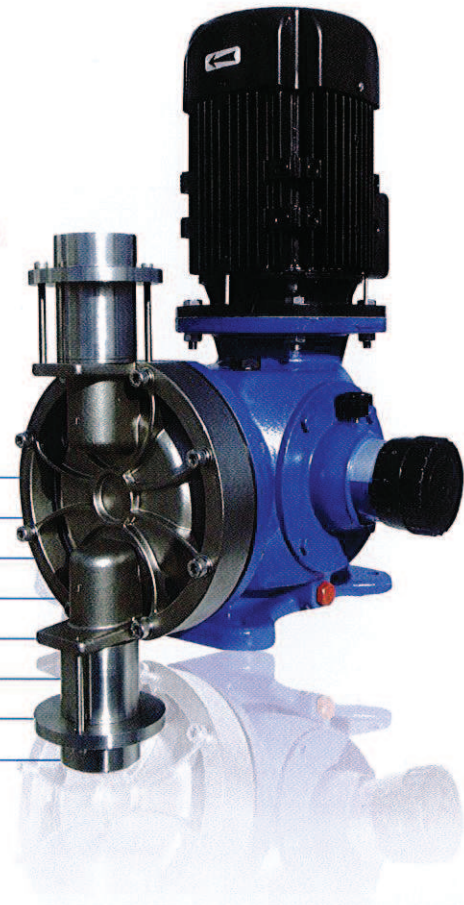
## MM2

### Mechanical-return Diaphragm Metering Pump

Featuring the same distinctive specs of MM1 series, the MM2 range provides higher dosing performance for the most demanding application.

#### FEATURES

■ Flow rate	80-2,000 L/H
■ Max pressure	10 BAR
■ Stroke rate	43/86/131/175 Stroke/minute
■ Stroke length	7/8/9/15 MM
■ Diaphragm diameter	124/140/157/179 MM
■ Motor	0.55/0.75/1.1KW
■ Material of pump head	SS 316L, PVC, PVDF
■ Max temperature	40°C



#### SPECIFICATIONS

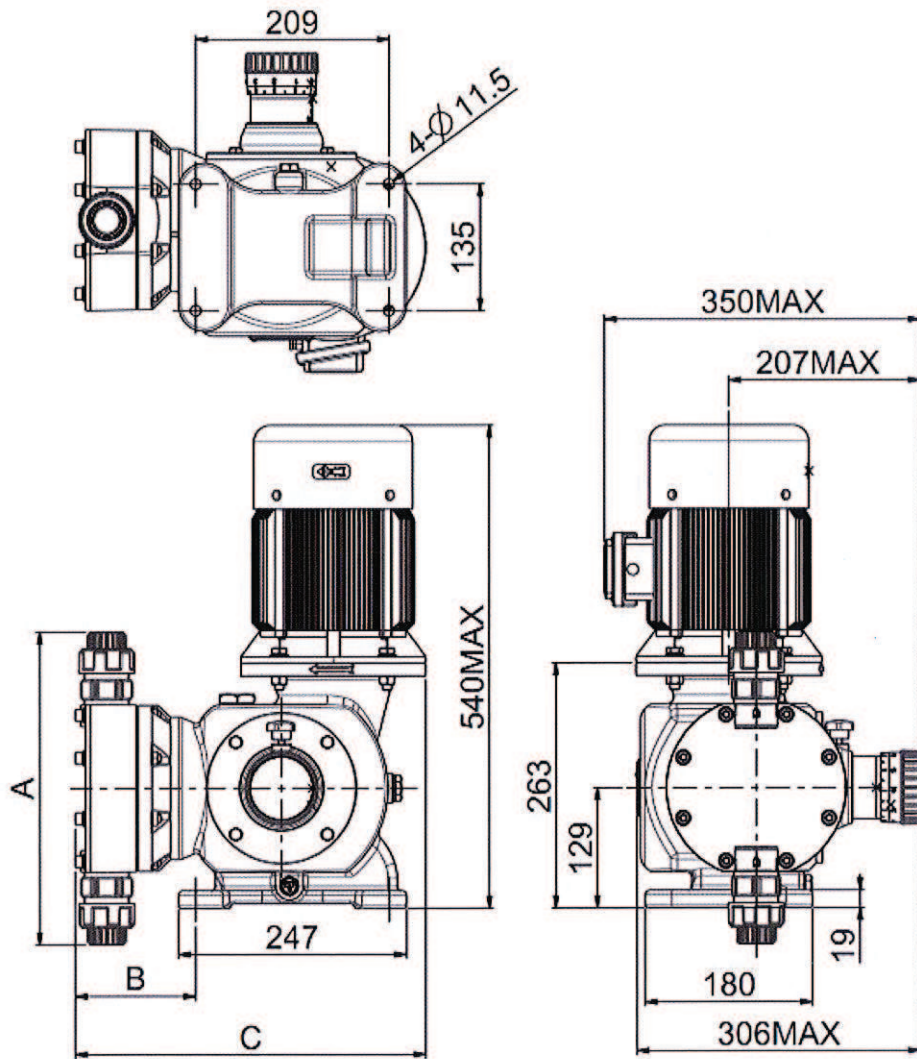
Model	Diameter [mm]	Stroke length [mm]	Stroke rate [stroke/min]	Flow rate [L/H]	Max pressure [bar]	Connections			Motor [kw] Pole	Gross weight [kg] SS316L PVC PVDF	Wooden box size (LxWxH) [mm]
						SS316L	PVC	PVDF			
MM2F124D**C40600	124	7	43	80	10	G3/4	DN20	G3/4(PVDF) DN20(PVC)	0.55/4	56	700x500x750
MM2F124E**C40600			86	180							
MM2F124F**C40600			131	250							
MM2F124G**C40600			175	350							
MM2G124G**C40600	8	450	7	G1	D25	G1(PVDF) D25(PVC)	60				
MM2F140G**C40600	7	500									
MM2G140G**C40600	8	600	3.5	G1 1/2	DN40	G1-1/2(PVDF) DN40(PVC)	0.75/4				
MM2H157F**C40600	157	9						131	750		
MM2H157G**C40600								175	1,000		
MM2H179G**D40600	179	15	175	1,200	3	G1 1/2	DN40	0.75/4	68		
MM2I179F**D40600				131						1,600	
MM2I179G**E40600				175						2,300	

1. \*\* refers to option of pump head material : SS316L(21/24);PVC(31/34);PVDF(41/44)

2. With exception to standard motor, it is also can be equipped with frequency-conversion motor or explosive-proof motor.

3. Test with water @ 20°C @ 50 Hz;Flow rate values with motor at 50Hz. Multiply by 1.2 for 60 Hz

## INSTALLATION DRAWING



pump head Material	Diameter=124				Diameter=140				Diameter=157				Diameter=179			
	Connection	A	B	C	Connection	A	B	C	Connection	A	B	C	Connection	A	B	C
<b>PVC</b>	DN20	293	123	372	DN25	316	129	377	DN25	334	130	379	DN40	424	148	395
<b>PVDF</b>	G3/4"F	293	123	372	G1"F	316	129	377	G1"F	334	130	379	G1 1/2"F	424	148	395
<b>SS316L</b>	G3/4"F	216	108	357	G1"F	251	130	378	G1"F	295	132	381	G1 1/2"F	382	160	407

## LIQUID END MATERIALS

Material	Standard		
	21/24	31/34	41/44
Pump head	SS316L	PVC	PVDF
Diaphragm	PTFE		
Seal	FPM/EPDM		
Ball	SS316L	Ceramic	
Ball Seat		PTFE	