

PS2 Series

Plunger Piston Metering pumps

PS2 pumps are plunger piston metering pumps featuring a spring return mechanism in an aluminium housing.

FEATURES

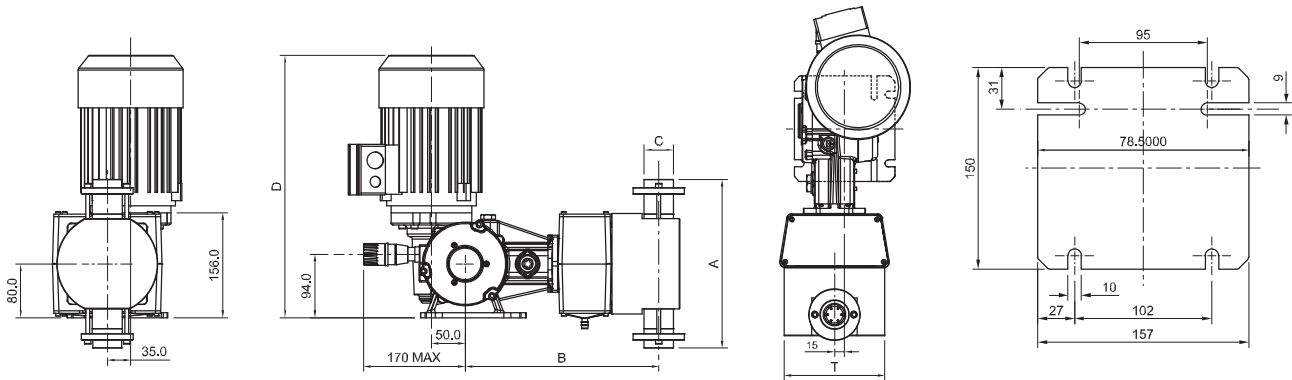
■ FLOW RATE	from 40 to 1000 L/h
■ MAX PRESSURE	20 bar
■ STROKE RATE	58 – 116 strokes/minute
■ PISTON DIAMETER	from 25 to 89 mm
■ MOTOR	standard 0,25 – 0,37 – 0,55 – 0,75 Kw (IP 55)
■ STROKE LENGTH	25 mm



TECHNICAL FEATURES

MODEL	PISTON DIAMETER [mm]	STROKES RATE [Strokes/min]	FLOW RATE [L/h]	MAX PRESSURE [bar]		CONNECTIONS		MOTORS [kW]	WEIGHT [Kg]		WOODEN BOX SIZE (LxWxH) (mm)						
				SS316L	PVC	SS316L	PVC		SS316L	PVC							
PS2E025A	25	58	40	20	10	3/8 GF	3/8 GF DN15	0,55	25	23	590x400x550						
PS2E025C		116	80														
PS2E030A	30	58	55														
PS2E030C		116	112														
PS2E038A	38	58	90														
PS2E038C		116	180														
PS2E048A	48	58	140														
PS2E048C		116	284														
PS2E054A	54	58	180			15	10	1/2 GF	1/2 GF	0,75		26	24				
PS2E054C		116	365														
PS2E064A	64	58	250			10	10							3/4 GF	3/4 GF	27	25
PS2E064C		116	505														
PS2E076A	76	58	365	7	7	1" GF	1" GF				34			27			
PS2E076C		116	730														
PS2E089A	89	58	495	5	5			38	28								
PS2E089C		116	1000														

DIMENSIONAL DRAWINGS



PISTON DIAMETER [mm]	A [mm]		B [mm]		C [mm]		T [mm]	
	SS316L	PVC	SS316L	PVC	SS316L	PVC	SS316L	PVC
25	120	147	258	258	3/8 GF	3/8 GF	68	80
30							88	100
38	160	168	268	268	1/2 GF	1/2 GF	108	120
48		196						
54	173	216	273	273	3/4 GF	3/4 GF	138	148
64	202	222						
76	202	244	288	288	1" GF	1" GF	150	160
89	238	256						

	STANDARD	
	21	31
PUMP HEAD	SS316L	PVC
PISTON		Ceramic
PISTON SEAL	FPM	
VALVES	SS316L	Ceramic
VALVE SEATS		PTFE

PUMP HEAD MATERIALS

MAX DOSAGE TEMPERATURE

- SS316L pump head 90° C
- PVC pump head 40° C

FLOW RATE ADJUSTMENT

Every pump can be equipped with an electric actuator which accepts a 4÷20 mA.

P S2 E 064 C 31 E4 080

PUMP IDENTIFICATION

- OPTIONAL
- MOTOR
- PUMP HEAD MATERIALS
- STROKES
- PLUNGER DIAMETER
- STROKE LENGTH
- MECHANISM TYPE
- MODEL