

ETA-N

Centrifugal Pumps



East Asia

1 Torishima Pump Mfg. Co., Ltd. ■ ■
1-1-8 Miyata-cho, Takatsuki-city, Osaka 569-8660
Japan
Tel : +81-72-690-2308 / Fax : +81-72-690-2329

2 KyushuTorishima Co., Ltd. ■
9857-13, Ohaza Kawako, Wakagi-cho, Takeo-city,
Saga 843-0151 Japan
Tel : +81-954-26-3081 / Fax : +81-954-26-3080

3 Torishima Pump Mfg. Co., Ltd.
Korea Liaison Office
4F, EC Bldg., Sinsa-dong 506-4, Gangnam-gu,
Seoul, 135-987, Republic of Korea
Tel : +82-2-3442-0239 / Fax : +82-2-3442-0242

4 Torishima Pump (Tianjin) Co., Ltd. ■ ■
No.9 Gaixin Road, Wuzang Development Zone,
Tianjin, P.R.China PC.301700
Tel : +86-22-59695601 / Fax : +86-22-59695603

5 Torishima Pump Mfg. Co., Ltd.
Beijing Office
Rm707, Building 1, KUNSHA CENTER,
No.16 Xinyuanli, Chaoyang District,
Beijing, P.R.China PC.100027
Tel : +86-10-84682891 / Fax : +86-10-84682890

6 Torishima (Hong Kong) Ltd.
Unit A, 21/F., Tower A, Billion Centre,
1 Wang Kwong Road, Kowloon Bay, Kowloon,
Hong Kong
Tel : +852-2795-1838 / Fax : +852-2754-3293

South East Asia

7 Torishima (Hong Kong) Ltd.
Vietnam Office
No.76 Bui Thi Xuan Street, Hai Ba Trung District,
Hanoi, Socialist Republic of Vietnam
Tel : +84-4-943-7880 / Fax : +84-4-943-7876

8 Torishima Pump Mfg. Co., Ltd.
Singapore Office
82 Toh Guan Road East
#C2-14.4 WaterHub Singapore 608576
Tel : +65-6779-0123 / Fax : +65-6779-6900

9 Torishima Service Solutions
Asia Pte.Ltd. ■
48 Toh Guan Road East, #02-142,
Enterprise Hub, Singapore 608586
Tel : +65-6933-8772 / FAX : +65-6933-8777

10 P.T. Torishima Guna Engineering ■
P.T. Torishima Guna Indonesia ■
Jalan Rawa Sumur Timur No.1 Pulogadung
Industrial Estate, P.O.Box 1160, Jakarta, Indonesia
Tel : +62-21-460-3963 / Fax : +62-21-460-3937

11 P.T. Geteka Founindo ■
JL Pulo Ayang Kav.
AA2 Pulogadung Industrial Estate,
P.O.Box 1160 JAT, Jakarta 13011 Indonesia
Tel : +62-21-460-3963 / Fax : +62-21-460-3937

South Asia

12 Torishima Pumps India Pvt. Ltd.
Tower B 1106, Millennium Tower, Sector27
Gurgaon-122002, Haryana, India
Tel : +91-124-4728950 / Fax : +91-124-4728950

13 Torishima Pumps India Pvt. Ltd.
Service Division ■
Plot No.27 B, C and D, Hoskote KIADB Industrial Area,
Chokkahlali Village, Kasaba Hobli, Hoskote Taluk,
Bangalore-562114, Karnataka, India

Oceania

14 Torishima Australia Pty. Ltd.
643-645 Glenhuntly Road,
Caulfield South VIC 3162 Australia
Tel : +61-3-9523-7998

Middle East

15 Torishima Service Solutions FZCO ■
Plot of Land TPO10501 Techno Park-Jebel Ali,
PO Box 37603 Dubai, U.A.E.
Tel : +971-4-880-7344 / Fax : +971-4-880-7354

16 Torishima Pump Mfg. Co., Ltd.
Middle East Office
Office No.901, Deluxe Tower, Delma Street,
Al Nahyan Camp Area, P.O.Box 53567,
Abu Dhabi, U.A.E.
Tel : +971-2-674-3880 / Fax : +971-2-674-3881

17 Torishima Pump Mfg. Co., Ltd.
Qatar Project Office
Office No.11, 1st Floor, West Corner Street,
Salwa Road-Midmac RIA,
PO Box 37027 Doha, Qatar
Tel : +974-4450-6915 / Fax : +974-4450-6916

18 Torishima Pump Mfg.Co.,Ltd.
Saudi Arabia Office
PO Box 12241-6208, 3202 Al Amir Mohammed
Bin Abdulaziz Street (Tahlea Street), Al Olaya,
Kingdom of Saudi Arabia
Tel : +966-1-1293-1355

Europe

19 Torishima Europe Ltd.
Sunnyside Works, Gartsherrie Rd. Coatbridge,
Scotland ML5 2DJ
Tel : +44-1236-443951 / Fax : +44-1236-702875

20 Torishima Service Solutions
Europe Ltd. ■
Sunnyside Works, Gartsherrie Rd. Coatbridge,
Scotland ML5 2DJ
Tel : +44-1236-442390 / Fax : +44-1236-702875

21 Torishima Europe Projects Ltd.
Torishima House, Brook Lane, Westbury,
Wiltshire, England BA13 4ES
Tel : +44-1373-858143

22 Torishima Europe Ltd. Madrid Office
Aida, Fuente Nueva 12A, 28703
San Sebastian de los Reyes, Madrid, Spain
Tel : +34-91-002-7541 / Fax : +34-91-284-6901

23 Torishima Europe Ltd. Poland Office
ul. Pomianowska 7, 03-136 Warszawa, Poland
Tel : +48-604-557-137

North America

24 Torishima Pump Mfg. Co., Ltd.
North America East Office
100 Grove Street, Suite 217, Worcester
MA 01605-2654 U.S.A.
Tel : +1-508-753-6600 / Fax : +1-508-753-8276

25 Torishima Pump Mfg. Co., Ltd.
North America West Office
2192 Dupont Drive, Suite 112, Irvine, CA 92612 U.S.A.
Tel : +1-949-379-6141 / Fax : +1-949-379-6181

Central America

26 Torishima Europe Ltd. Mexico Office
Av Paseo de La Reforma 350,11th floor,
Juárez,Cuauhtémoc, 06600
Ciudad de México,D.F., México
Tel : +52-55-9171-1426 / Fax : +52-55-9171-1499



■ Manufacturing ■ Service Center

PT TORISHIMA GUNA INDONESIA

GENERAL

ETA.N series are industrial pumps of back pull out design according to JIS B8313.

APPLICATIONS

- General water supply, irrigation and drainage
- Pumping of sea water, brine, alkali and condensate
- Circulating hot and cold water supply
- Sprinkling & fire fighting system
- Swimming Pool

DESIGN

- End suction volute pumps with vertical centerline discharge
- Back Pull Out (BPO) design allows the removal all rotating elements without disturbing the casing, piping or motor

MATERIAL EXPLANATION

Bronze of BC2 or BC6 quality is recommended for sea water application or other corrosive media

IMPELLER

- Closed, radial flow impeller fitted with protective wear ring
- Balanced hydraulically
- Trimming of impeller is possible

BEARINGS

- Permanent lubricated grease ball bearings
- Oil lubricated bearing (*see option*)

SHAFT SEALS

- Strong stuffing boxes
- Single acting mechanical seal are available

FLANGES

- JIS 10 k F.F
- Optional with other flanges connection standard

DRIVE

Electric motors and engines are also available on request

DIRECTION OF ROTATION

Clockwise viewed from the drive end



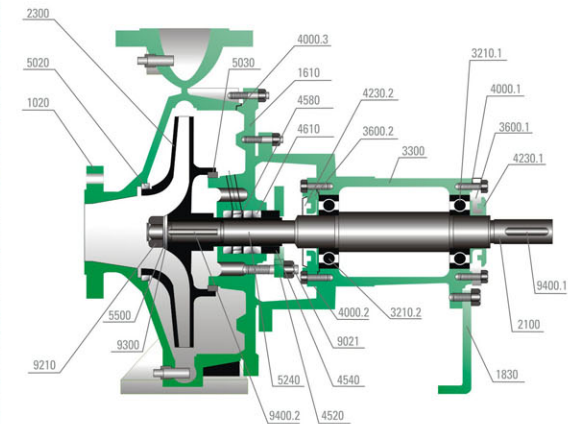
PUMP SPECIFICATION

SPECIFICATION		STANDARD	OPTION *
CAPACITY		Up to 620 m ³ /h (170 l/s)	
TOTAL HEAD		Up to 100 m	
Product Temperature		-10°C to 100°C	-30°C - 120°C
Pump Discharge Pressure		Up to 10 bar	
Pump Size		32 mm to 150 mm	
MATERIAL	Volute Casing	Cast Iron FC250	Ductile FCD400 / Bronze BC6
	Casing Cover	Cast Iron FC250	Ductile FCD400 / Bronze BC6
	Bearing Housing	Cast Iron FC250	
	Impeller	Cast Iron FC200	Ductile FCD400 / Bronze BC6
	Shaft	Martensitic Steel SUS420J2	SUS316/SUS304
	Casing Wear Ring	Cast Iron FC200	Bronze BC6
	Impeller Wear Ring	Cast Iron FC200	Bronze BC6
	Shaft Protection Sleeve	Martensitic Steel SUS420J2	Austenitic Steel SUS304 / 316
Seal		Gland Packing	Mechanical Seal
Ball Bearing		Deep Groove	Open type
Lubrication		Grease	Oil

* all material combination within above mentioned material specification is possible

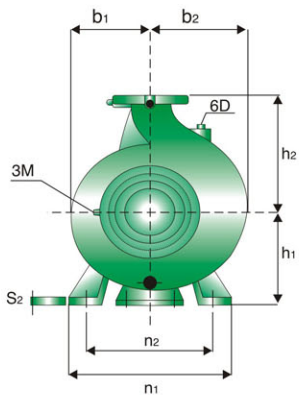
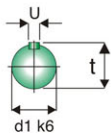
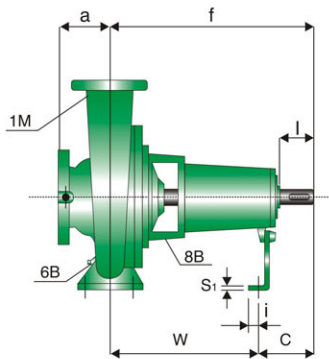
SECTIONAL DRAWING & LIST COMPONENT

PART NO.	PART DESIGNATION	MATERIAL	QTY
1020	Volute Casing	FC 250	1
1610	Casing Cover	FC 250	1
1830	Support Foot	SS 400	1
2100	Shaft	SUS 420J2	1
2300	Impeller	FC 200	1
3210.1	Ball Bearing	No. 63 - C3	1
3210.2	Ball Bearing	No. 63 - C3	1
3300	Bearing Housing	FC 250	1
3600.1	Bearing Cover	ADC 12	1
3600.2	Bearing Cover	ADC 12	1
4000.1	Flat Gasket	Valqua 6500	1
4000.2	Flat Gasket	Valqua 6500	1
4000.3	Flat Gasket	Valqua 6500	1
4230.1	Labyrinth Ring	Plastic	1
4230.2	Labyrinth Ring	Plastic	1
4520	Gland	FC 200	1
4540	Gland Bush	FC 200	1
4580	Lantern Ring	FC 200	1
4610	Gland Packing	Non Asbestos	3
5020	Casing Wearing	FC 200	1
5030	Impeller Wearing	FC 200	1
5240	Shaft Protecting Sleeve	SUS 420J2	1
5500	Washer Impeller *	SUS 304	1
9021	Gland Bolt	SUS 304	2
9201	Fine Hexagonal Nut	SUS 400	1
9300	Spring Washer	SUS 304	1
9400.1	Key	S45C	1
9400.2	Key **	S45C	1



* Only use on Pump size with code (*)

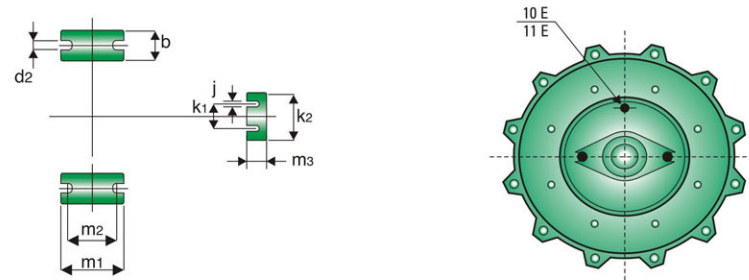
** There are 2 size (each size 1 pc/unit pump) for Pump size with code (**)



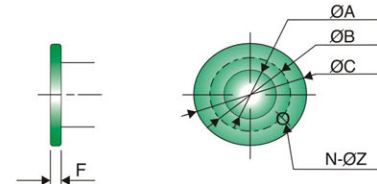
AUXILIARY CONNECTION

SYMBOL	DESIGNATION
1 M	Pressure Measurement Instrument
3 M	Pressure Measurement Instrument
6 B	Casing Drain
6 D	Printing and Venting
8 B	Leakage Drain
10 E	Sealing Liquid Inlet
11 E	Flushing Liquid Inlet

PUMP SIZE	1 M	6 B	8 B	10 E
	3 M	6 D		11 E
DIMENSION				
50x32-160				
50x32-200				
50x40-200				
50x40-250				
50x40-315.1				
65x50-160				
65x50-200				
65x50-250				
65x50-315.1				
80x65-160				
80x65-200				
80x65-250				
80x65-315.1				
100x80-125				
100x80-160				
100x80-200				
100x80-250				
100x80-315.1				
100x80-400.1				
125x100-160				
125x100-200				
125x100-200.1				
125x100-250				
125x100-250.1				
125x100-315				
125x100-400				
150x125-200				
150x125-250				
150x125-315				
150x125-400				
200x150-200				
200x150-250				
200x150-315				
200x150-400				



PUMP FLANGE DIMENSION (acc. to JIS 10 kgf / cm² F.F.)

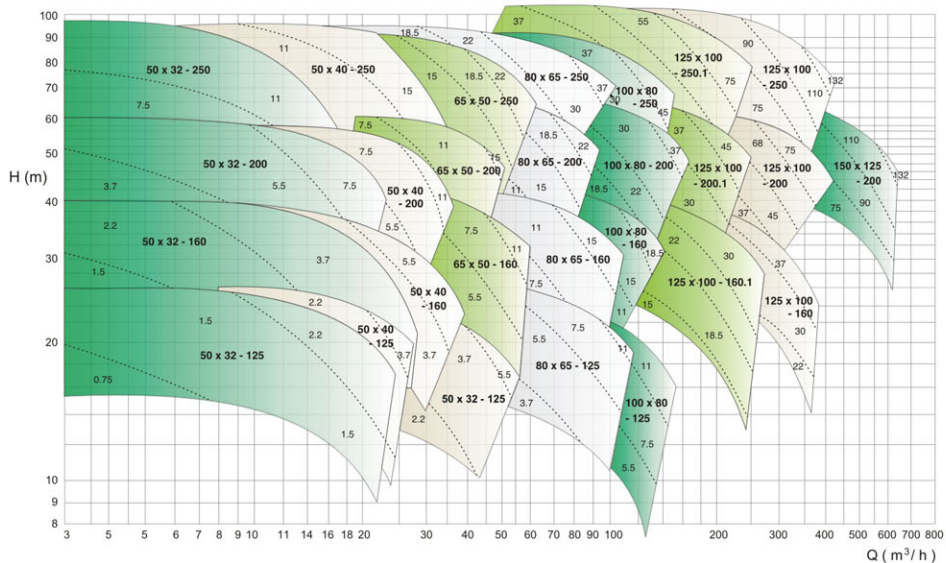


dimension in mm

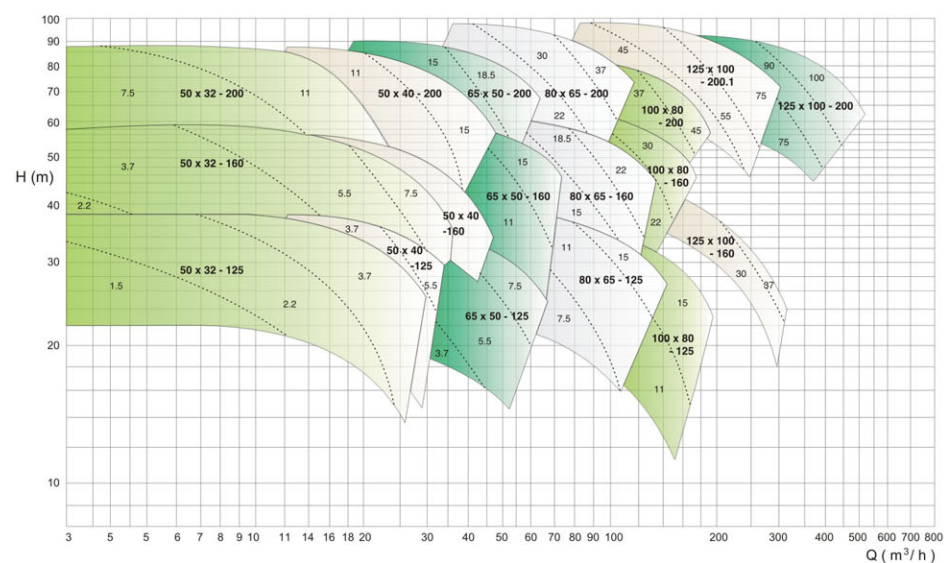
ND	ØA	ØB	ØC	F	N - ØZ
32	32	100	135	20	4 - 19
40	40	105	140	20	4 - 19
50	50	120	155	20	4 - 19
65	65	140	175	22	4 - 19
80	80	150	185	22	8 - 19
100	100	175	210	24	8 - 19
125	125	210	250	24	8 - 23
150	150	240	280	26	8 - 23
200	200	290	330	26	12 - 23

PUMP SIZE	PUMP DIMENSION										FOOT DIMENSION						SHAFT END DESIGN										
	DN 1	DN 2	a	b1	b2	f	h1	h2	b	C	d2	i	m1	m2	m3	j	k1	k2	n1	n2	S1	S2	W	d1k6	l	t	u
50x32-160*	50	32	80	116	125	360	132	160	50	103	16	25	100	70	50	15	110	160	240	190	4	15	257	24	50	27	8
50x32-200*	50	32	80	128	137	360	160	180	50	103	16	25	100	70	50	15	110	160	240	190	4	18	257	24	50	27	8
50x40-200*	50	40	80	132	141	360	160	180	50	103	16	25	100	70	50	15	110	150	240	190	4	18	257	24	50	27	8
50x40-250*	50	40	100	170	176	350	180	225	65	109	16	25	125	95	50	15	110	160	320	250	4	18	251	32	50	35	8
50x40-315.1*	50	40	125	194	203	470	225	250	65	132	16	25	125	95	50	15	110	160	345	280	6	18	338	32	80	35	10
65x50-160*	65	50	80	115	131	360	132	160	50	103	16	25	100	70	50	15	110	160	240	190	4	15	257	24	50	27	8
65x50-200*	65	50	100	133	147	360	160	180	50	103	16	25	100	70	50	15	110	160	265	212	4	15	257	24	50	27	8
65x50-250*	65	50	100	165	178	360	180	225	65	109	16	25	125	95	50	15	110	160	320	250	4	18	251	32	50	35	8
65x50-315.1*	65	50	125	200	216	470	225	280	65	132	16	25	125	95	50	15	110	160	345	280	6	18	338	32	80	35	10
80x65-160*	80	65	100	125	147	360	160	180	50	103	16	25	100	70	50	15	110	160	265	212	4	15	257	24	50	27	8
80x65-200*	80	65	100	145	165	360	160	200	50	103	16	25	100	70	50	15	110	150	265	212	4	15	257	32	50	35	8
80x65-250*	80	65	100	168	184	360	180	225	65	109	16	25	125	95	50	15	110	160	320	250	4	18	251	32	50	35	8
80x65-315.1*	80	65	125	208	229	470	225	280	80	132	21	25	160	120	50	15	110	160	400	315	6	20	338	32	80	35	10
100x80-125*	100	80	100	120	148	360	160	180	65	103	16	25	125	95	50	15	110	160	280	212	4	18	257	32	50	35	8
100x80-160*	100	80	100	130	158	360	160	200	85	103	16	25	125	95	50	15	110	150	280	212	4	18	257	32	50	35	8
100x80-200*	100	80	100	164	177	360	180	225	65	109	16	25	125	95	50	15	110	160	320	250	4	18	251	32	50	35	8
100x80-250*	100	80	100	180	200	470	200	250	80	132	21	25	160	120	50	15	110	160	360	280	6	20	338	32	80	35	10
100x80-315.1*	100	80	125	220	244	470	250	315	80	132	21	25	160	120	50	15	110	160	400	315	6	20	338	32	80	35	10
100x80-400.1**	100	80	125	253	276	530	280	355	80	192	21	25	160	120	50	15	110	160	435	355	6	20	338	42	115	45	12
125x100-160	125	100	125	178	225	470	200	250	80	132	21	25	160	120	50	15	110	160	360	280	6	18	338	32	80	35	10
125x100-200	125	100	125	173	213	470	200	280	80	132	21	25	160	120	50	15	110	160	360	280	6	18	338	32	80	35	10
125x100-200.1	125	100	125	161	189	470	180	250	65	132	16	25	125	95	50	15	110	150	345	280	4	18	338	32	80	35	10
125x100-250	125	100	140	190	220	470	225	280	80	132	21	25	160	120	50	15	110	160	400	315	6	20	338	32	80	35	10
125x100-250.1	125	100	125	184	210	470	225	280	80	132	21	25	160	120	50	15	110	160	400	315	6	18	338	32	80	35	10
125x100-315	125	100	140	225	255	470	250	315	80	132	21	25	160	120	50	15	110	160	400	315	6	20	338	32	80	35	10
125x100-400**	125	100	140	253	280	530	280	355	100	161	26	25	200	150	50	15	110	160	500	400	6	20	369	42	115	45	12
150x125-200	150	125	140	195	244	470	250	315	80	132	21	25	160	120	50	15	110	160	400	315	6	20	338	32	80	35	10
150x125-250	150	125	140	229	275	470	250	355	80	132	21	25	160	120	50	15	110	160	400	315	6	20	338	32	80	35	10
150x125-315**	150	125	140	238	278	530	280	355	100	192	26	25	200	150	50	15	110	160	500	400	6	20	338	42	115	45	12
150x125-400**	150	125	140	275	305	530	315	400	100	161	26	25	200	150	50	15	140	200	500	400	6	20	369	42	115	45	12
200x150-200	200	150	160	238	315	470	280	400	100	132	26	25	200	150	50	15	110	160	550	450	6	20	338	32	80	35	10
200x150-250**	200	150	160	228	298	530	280	375	100	192	26	25	200	150	50	15	110	160	500	400	6	20	338	42	115	45	12
200x150-315**	200	150	160	255	303	530	315	400	100	161	26	25	200	150	50	15	140	200	550	450	6	20	369	42	115	45	12
200x150-400**	200	150	160	285	325	530	315	450	100	161	26	25	200	150	50	15	140	200	550	450	6	20	359	42	115	45	12

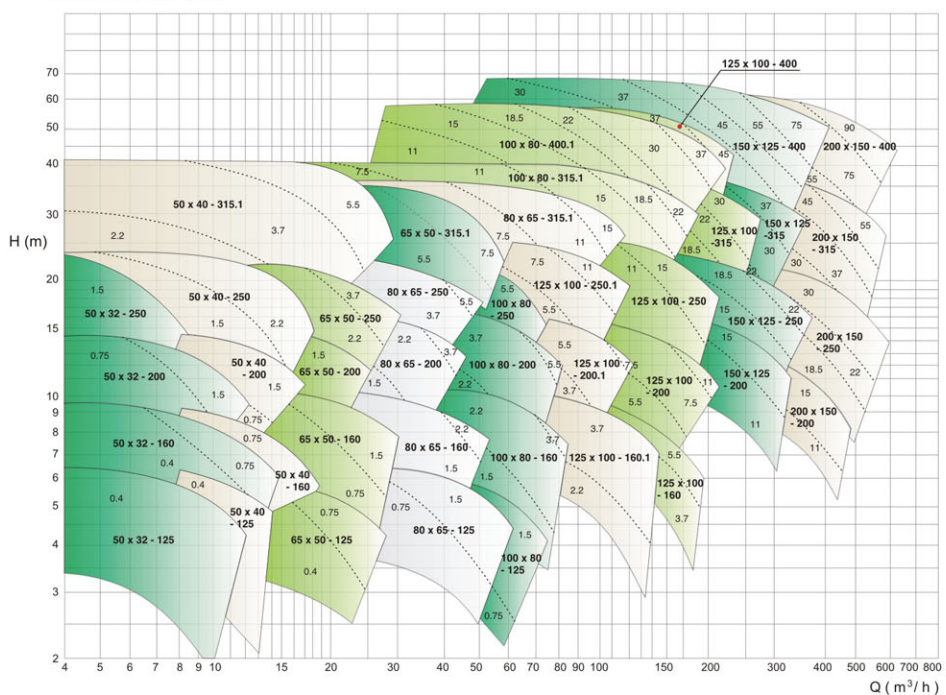
50Hz-2P n=2900 1/min



60Hz-2P n=3500 1/min



50Hz-4P n=1450 1/min



60Hz-4P n=1750 1/min

